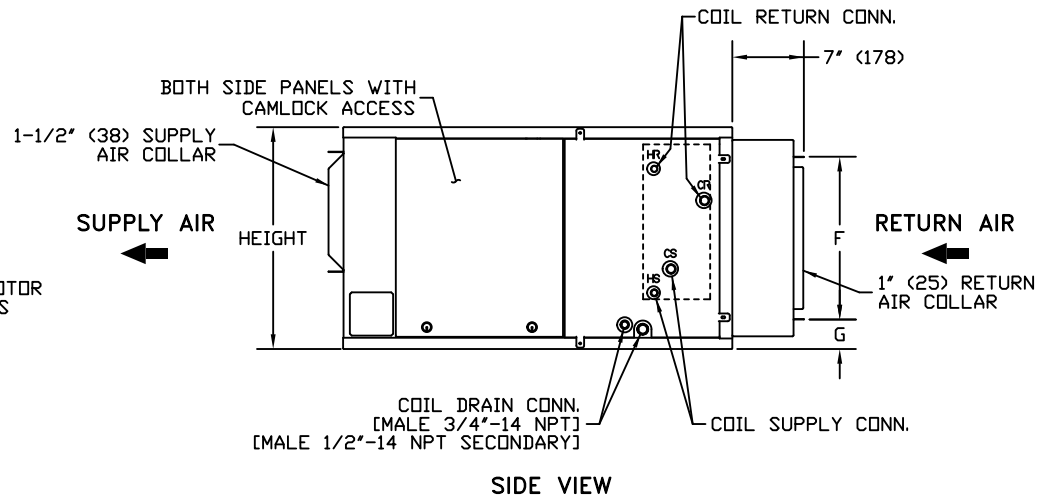
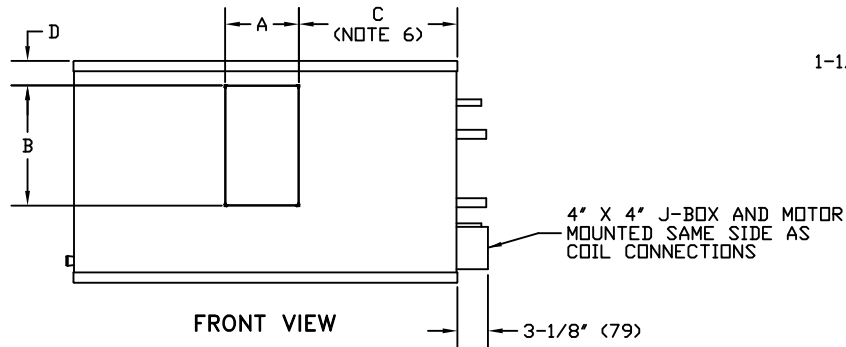
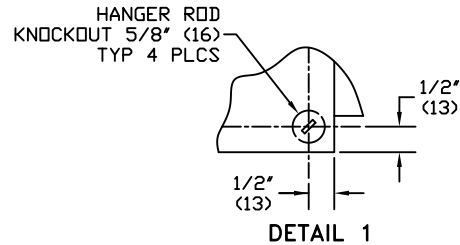
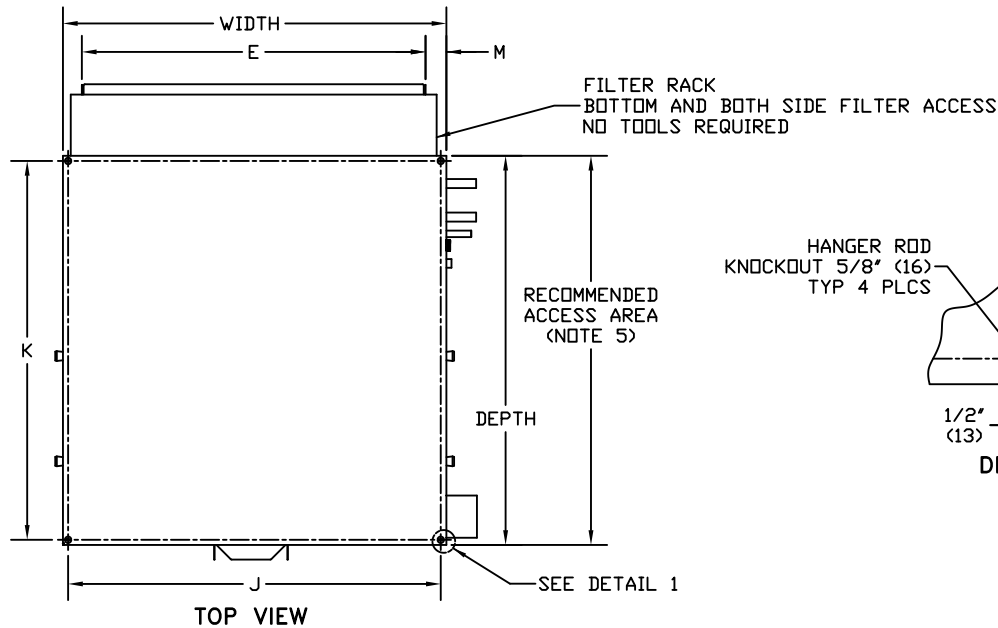


REVISION HISTORY		
REV	DATE	ECN
-	08/25/10	10-1273
A	05/04/17	17-0582
B	10/14/19	19-1132



- NOTES:
- RIGHT-HAND SHOWN. LEFT HAND OPPOSITE.
 - ALL DIMENSIONS ±1/4 INCH (6 MM).
 - PRODUCT SPECIFICATIONS ARE SUBJECT TO CHANGES WITHOUT NOTICE.
 - DIMENSIONS IN PARENTHESIS ARE IN MILLIMETERS.
 - ALLOW ADEQUATE SPACING FOR MANUEVERABILITY AROUND UNIT TO ALLOW SERVICE THROUGH RECOMMENDED ACCESS AREA.
 - "C" DIMENSION IS MEASURED FROM COIL SIDE OF UNIT.
 - MIXING BOX OPTION WILL VARY RETURN DUCT DIMENSIONS, REFER TO MIXING BOX SUBMITTAL.

SIZE	FAN SIZE	DEPTH	WIDTH	HEIGHT	SUPPLY DUCT				RETURN DUCT			MOUNTING HOLES		M
					A	B	C	D	E	F	G	J	K	
HBD06	9X4	36(914)	28(711)	19-3/4(502)	7-1/8(181)	10-1/2(267)	14-1/2(368)	2-1/4(57)	24-1/4(616)	14(356)	2-3/4(70)	27-1/4(686)	35-1/4(895)	2(51)
HBD08	9X6	36(914)	28(711)	19-3/4(502)	8-1/2(216)	10-1/2(267)	14(356)	2-1/4(57)	24-1/4(616)	14(356)	2-3/4(70)	27-1/4(686)	35-1/4(895)	2(51)
HBD10	10X4	37-1/2(953)	37(940)	21-1/2(546)	7-1/8(181)	11-5/8(295)	15-1/4(387)	2-1/4(57)	33-1/4(845)	15-3/4(401)	2-7/8(73)	36-1/4(921)	37(940)	2(51)
HBD12	10X7	37-1/2(953)	37(940)	21-1/2(546)	10(254)	11-5/8(295)	14(356)	2-1/4(57)	33-1/4(845)	15-3/4(401)	2-7/8(73)	36-1/4(921)	37(940)	2(51)
HBD16	11X10	37-3/4(959)	47(1194)	21-1/2(546)	13-3/8(340)	12-3/4(324)	16-3/4(425)	2-1/4(57)	43-7/8(1115)	15-3/4(401)	2-7/8(73)	46-1/4(1175)	37(940)	1-1/2(38)
HBD20	12X9	40-1/4(1022)	48(1219)	24(610)	12-1/2(216)	13-3/4(349)	17-3/4(451)	2-1/4(57)	44-1/4(1124)	18(457)	2-7/8(73)	47-1/4(1200)	39-1/2(1033)	2(51)
HBD30	12X12	40-1/4(1022)	48(1219)	32-1/4(819)	15-7/8(403)	13-3/4(349)	16(406)	7-1/4(184)	44-1/4(1124)	26-1/2(673)	1-1/4(32)	47-1/4(1200)	39-1/2(1033)	2(51)
HBD40	15X12	43-1/2(1105)	62(1575)	32-1/4(819)	16-3/8(416)	16-1/8(410)	22-3/4(578)	6-1/4(159)	58-1/4(1480)	26-1/2(673)	1-1/4(32)	61-1/4(1556)	42-1/2(1080)	2(51)

TITLE		
HORIZONTAL BELT DRIVE		
MODEL		
HBD		
JOB NUMBER		
JOB NAME		
DRAWN BY	A. HUBBARD	
DRAWING NUMBER	REVISION	SHEET
I100-90011616	B	1 OF 1